



Survey on the Significance of Artificial Neural Network

Atheel Sabih Shaker^a and Maad M. Mijwil^{a*}

^a *Computer Techniques Engineering Department, Baghdad College of Economic Sciences University, Baghdad, Iraq.*

Authors' contributions

This work was carried out in collaboration between both authors. Both authors read and approved the final manuscript.

Article Information

DOI: 10.9734/AJRCOS/2022/v14i4292

Open Peer Review History:

This journal follows the Advanced Open Peer Review policy. Identity of the Reviewers, Editor(s) and additional Reviewers, peer review comments, different versions of the manuscript, comments of the editors, etc are available here: <https://www.sdiarticle5.com/review-history/92888>

Review Article

Received 17 August 2022
Accepted 21 October 2022
Published 26 October 2022

ABSTRACT

The word "neural networks" has a strong connotation. It alludes to devices that resemble minds and may be laden with the Frankenstein mythos' science fantasy meanings. One of the top aims of this report is to deconstruct neural networks and demonstrate how they function. Although they do have much to do with minds, their research crosses over into other scientific disciplines, such as technology and math. While some numerical terminology is needed for quantified defining such laws, processes, and frameworks, the goal is to do this in a non-technical manner.

Keywords: Neural network; deep learning; ANN; CNN.

1. INTRODUCTION

This study provides a simple overview to neural networks. A two-layer auto - encoder, which is widely used for feature estimation, is highlighted.

Artificial neural networks have been shown to be extremely efficient at predicting and analyzing

streams that conventional approaches and data sets are unable to address [1,2]. We could predict the level for citizen participation in general elections using a two-layer feedforward system with a tan-sigmoid transmission feature in the output layer in this study. Artificial neural networks, also known as neural networks [3], are a mathematical formula for knowledge or digital signal that is caused by natural neurons.

*Corresponding author: E-mail: maadalnaimiy@gmail.com, mr.maad.alnaimiy@baghdadcollege.edu.iq;

A human brain is a dynamic system made up of a community of sensory computers that offers amazing new possibilities for explaining complex and other applications in today's modern computing world. As a result, studies in various disciplines are developing artificial neural network (ANN to address face detection, forecasting, computation, auditory processing, and control issues) So, in this report an ANN model is presented. When it comes to computer creation, the variety of coding grows in lockstep with the scope of the project [4]. As a result, both engineers and scientists are working on developing and testing software systems to differentiate between these computer programs. Various attempts were made to accomplish this mission by using terminology from the code snippets of these coding. Rather than using terminology for identification, this research looks at the capacity to detect a sequence of a computer language feature using a neural network called NeMo (High-performance spiking neural net simulation game) and evaluating the toolkit's capacity to just provide comprehensive interpretable outcomes [5-7].

2. METHODOLOGY

2.1 Estimating Participation in Elections Using Neural Network

Multilayer Feed-Forward is a type of convolutional neural network that uses a backpropagation to learn the system. It uses the weight learning method to identify and predict category form data points on a regular basis. The input image, one maybe more activation function, and convolution layers make up a Multilayer Feed-Forward system [8]. Each layer is composed of parts. The interface system is made up of applications with academic examples that reach the input layer at the same time. These signals pass via the hidden layers before being weighed. Then they are transferred to the secret level, which is the innermost level of faux

modules. A hidden unit's value may be used as a reference for an output layer in a different neural network [9]. The neural network's input is weighted input or hidden nodes, which can be used to teach current weights and nodes using academic datasets, as well as provide identification and expectation operations for data points and testing sets [10].

Initially, we use MATLAB software to build an artificial neural network. In the secret and focused on removing, our artificial neuron is a Consume system with a tan-sigmoid gear train. In this system, the secret level comprises 10 cells. As the goal function has 3 persons, the system has ten entries and output layer. Fig. 1 explains the Overall architecture of the Feed-Forward Neural Network to Predict Participation.

We offer it a backpropagation algorithm of 10 and make it out of those hidden layers. If information from identical external lines is usable, it is extracted during the before the phase. In the level 3, we divide all test population into categories at randomly and use most of it for academic purposes, while the rest is used for engineering attacks. Based upon the number and percentage of people who have reached each point [12].

2.2 ANN Models

In machine learning, neural networks are basically pure arithmetic models that define a linear function: $X \rightarrow Y$ or a function over X or both X and Y , but they are often closely linked to a specific training algorithm or training law [12]. The specification of a group of these roles using the ANN model, whereby representatives of the group are produced by various, link sizes, or structure details including the neural network or their synchronization [12]. Fig. 2 shows the Multilayer Artificial Neural Network.

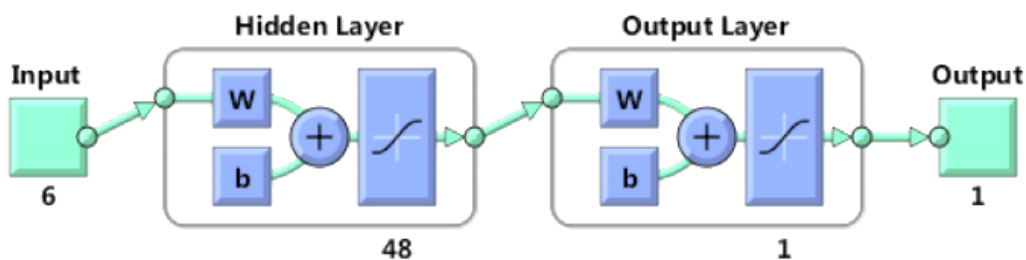


Fig. 1. Overall architecture of the feed-forward neural network to predict participation [11]

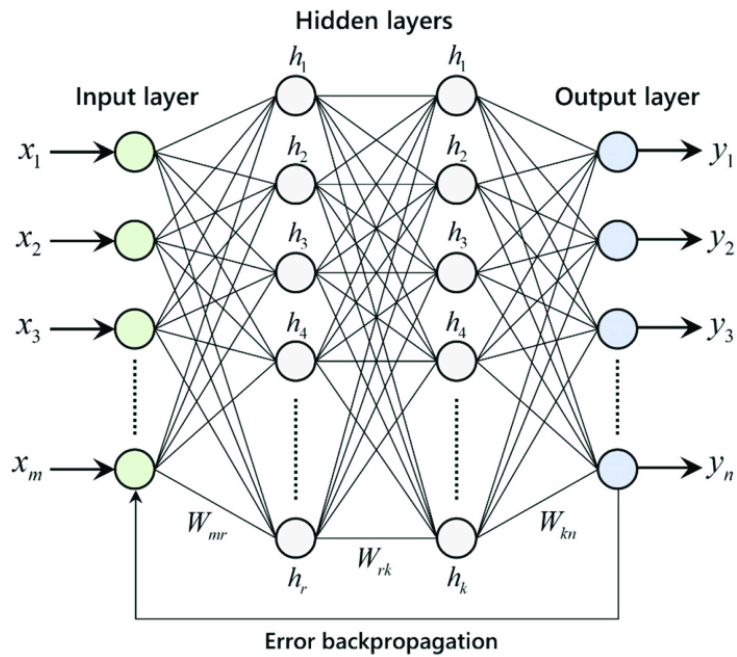


Fig. 2. Multilayer artificial neural network [13]

The ANN Network Structure should be plain and straightforward. Reoccurring and non-recurrent frameworks are also the two kinds of frameworks. The Automatic associative or Feedback Network is also identified as the Recurrent Framework, and the Relational or Feed-forward System is also recognized as the Non-Periodic Framework. The signal travels in only on path in a feed forwarding system, but in a feedback path, the clear roles for both ways by inserting bridges and switches. As can be seen in the diagrams following,

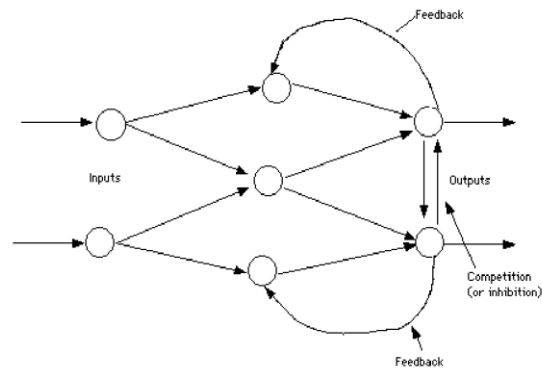


Fig. 4. Feedback network [14]

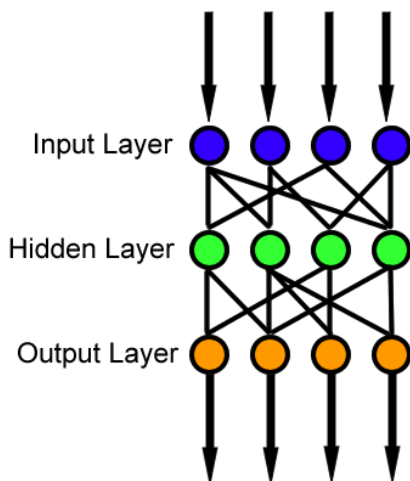


Fig. 3. Feed forward network [13]

2.3 Neural Network Programming in Python

The objective of this report is to evaluate and examine BNN's ability to know and recognize python programming language patterns using the NeMo set of tools. This is accomplished by using a pattern matching algorithm. To begin, information is compiled from the most used syntax codes in the Python programming language. Then all these codes are translated into a conditional range, from whom possible template characteristics are chosen. The next step is to choose BNN as the information processing template. After that, the data for training the template. Eventually, three measures are used to assess the qualified BNN model. The

very first experiment involves putting the new BNN through its paces with ten different python syntax keys and seeing how it reacts [15]. The program's ability to identify non-python patterns is tested in the second experiment, which uses ten words or phrases. Finally, the third examination examines the behavior of those who are confused [16].

The Neural Module is NeMo's main building block (NM). A conceptual component of a neural network, such as a lexicon, [17] an embedding, a demodulator, a region growing method, a distance measure, or other layers and features, is represented by a Neural Nodule. In NeMo, the main concept is: NMs are the building blocks for explaining a template and the method of training it. A Neural Module is a part that, generates a collection of type inputs, quantifies a set of booted outcomes. Multidimensional matrices are used as endpoints [18,19].

3. RESULTS AND DISCUSSION

The ability to predict, artificial neural networks are now widely used. Convolutional neural networks can also be used to forecast political matters, as this function, along with voting patterns, is one of the most intriguing problems for academic economists. To forecast election attendance, we use an artificial neural network (ANN) [20] Active estimation, like series data estimation and simulation, are real-time uses of Convolutional Neural Networks. With a sweep of the wrist, you can address an important signal (speech) while traveling. Template and series identification, predictive analysis, and systematic decision - making process are all examples of identification. Using basic hand movements, you can repeat sessions or turn the volume on your music service. Sorting, grouping, blind signal isolation, and encoding are all examples of active analysis [21]. Machine prevention and analysis (automobile command, quality assessment), game enjoyment and strategic thinking (gymnastics, winning races), problem solving (transponder networks, facial detection, scene understanding, etc.), pattern acknowledgement (expression, voice, offline handwritten acknowledgement), psychiatric condition, accounting software, and data gathering (or information exploration in datasets) are only some of the fields where ANNs can be used.

A disadvantage is that Artificial neural networks are hardware-dependent due to their nature, which necessitates computers with simultaneous

power consumption. As a result, the gear's realization is contingent [22]. The channel's activity is unknown. It's the most critical issue with ANN. When ANN provides a questioning approach, it does not explain why or how it was chosen. The channel's credibility is eroded because of this. Ensure that the network configuration is right. The design of neural networks is determined by no law. Expertise and trial - and - error are used to develop the required network architecture [23-26]. The complexity in communicating the issue to the system. ANNs can work with numeric values [27,28]. Before introducing ANN to an issue, it must be expressed in numerical quantities [29]. The show method chosen will have a direct effect on the channel's results. This is determined by the recipient's capabilities. The channel's length is uncertain. When the channel's failure on the test is decreased to a critical property, the learning is completed. The quality doesn't really provide us with the best outcomes [30].

The basic similarity is that the above-mentioned methodologies are conducted on Neutral network [31,32]. Artificial neural networks are a form of modern arithmetical approach for solving unexpected, complicated problems in evolved behavioral systems over an amount of time. Artificial neural networks (ANNs) are complex mathematical models inspired by a being's nervous system (particularly the brain) and worthy of computer learning and pattern recognition in electrical engineering and related disciplines. NeMo (Neural Modules) is a Python implementation set of tools for reuse, integration, and design in Application domains. NeMo is based on neural modules, which are the building blocks of neural networks that accept text input and generate specified outcomes.

The differences are that one study is conducted through We can predict the rate of public involvement in general elections by using a two-layer feedforward system with such a tan-sigmoid transmission mechanism in the hidden layer and output layer. In the second study ANN Model is presented. To create and examine software tools to differentiate these computer languages, engineers and scientists are required. Various attempts were made to accomplish this mission by utilizing phrases from the code snippets of these computer languages. Rather than using terminology for identification, this study looks at the capacity to track a sequence of a functional programming feature using a neural network called NeMo (Elevated inflating neural

network simulator) and checking the toolkit's capacity that provide comprehensive query able outcomes.

4. CONCLUSION

Artificial neural networks are a type of modern mathematical-computational approach for solving unexpected complex problems in evolved behavioral systems over time. Artificial neural networks (ANNs) are commonly used nowadays because of their ability to predict events. Given that this function, as well as election outcomes, are one of the most intriguing obstacles for academic economists, artificial neural networks can be used to predict racial problems. We use artificial neural network (ANN) to forecast national election attendance. Artificial Neural Networks are becoming increasingly effective for a range of purposes. We will undoubtedly overcome some of the drawbacks of neural network engineering if the Artificial Neural Network principle is paired with Computational Automata, FPGA, and Fuzzy Logic. When most software apps grow, so does the number of languages used to create these apps. As a result, programmers and academics will benefit greatly from using an automated process to distinguish these operating systems. We used the NeMo toolkit to show an information processing model that recognizes python language code and use a recursive neural network. This model was effective in accurately identifying the rate of different inputs.

COMPETING INTERESTS

Authors have declared that no competing interests exist.

REFERENCES

1. Sangar AB, Khaze SR, Ebrahimi L. Participation anticipating in elections using data mining methods. *Int J Cybern Inform.* 2013;2(2):47-60. Available:https://doi.org/10.5121/IJCI.2013.2205
2. Shaker AS. Detection and segmentation of osteoporosis in human body using recurrent neural network. *Int J Adv Sci Technol.* 2020;29(2):1055-1066.
3. Gharehchopogh FS, Khaze SR. Data mining application for cyber space users tendency in blog writing: A case study. *Int J Comput Appl.* 2012;47(18):4046. Available:https://doi.org/10.5120/7291-0509
4. Gill GS. Election result forecasting using two layer perceptron network. *J Theor Appl Inf Technol.* 2008;47(11):1019-1024.
5. Caleiro A. How to classify a government? Can a neural network do it?. University of Evora, Economics Working Papers; 2005. Available:https://doi.org/10.13140/RG.2.2.21670.73280
6. Shaker AS. Fully automated magnetic resonance detection and segmentation of brain using convolutional neural network. *Ibn al-Haitham J Pure Appl Sci.* 2021; 34(4):130-141. Available:https://doi.org/10.30526/34.4.2710
7. Mijwil MM, Shukur BS. A scoping review of machine learning techniques and their utilisation in predicting heart diseases. *Ibn al-Haitham J Pure Appl Sci.* 2022;35(3): 175-189. Available:https://doi.org/10.30526/35.3.2813
8. Adya M, Collopy F. How effective are neural networks at forecasting and prediction? A review and evaluation. *J Forecast.* 1998;17:481-495. Available:https://doi.org/10.1002/(SICI)1099-131X
9. Thiesing FM, Vornberger O. Sales forecasting using neural networks, neural networks. In *Proceedings of International Conference on Neural Networks.* 1997; 2125-2128. Available:https://doi.org/10.1109/ICNN.1997.614234
10. Moody J. Economic forecasting: Challenges and neural network solutions. In *Proceedings of the International Symposium on Artificial Neural Networks.* 1995;1-8.
11. Popoola SI, Adetiba E, Atayero AA, Faruk N, Calafate CT. Optimal model for path loss predictions using feed-forward neural networks. *Cogent Eng.* 2018;5(1):1444345. Available:https://doi.org/10.1080/23311916.2018.1444345
12. Maind SB, Wankar P. Research paper on basic of artificial neural network. *Int J Recent Innov Trends Comput Commun.* 2014;2(1):96-100. Available:https://doi.org/10.17762/ijritcc.v2i1.2920

13. Fernández-Cabán PL, Masters FJ, Phillips BM. Predicting roof pressures on a low-rise structure from freestream turbulence using artificial neural networks. *Front Built Environ.* 2018;4(68):1-16. Available:<https://doi.org/10.3389/fbuil.2018.00068>
14. Pauly L, Priyaa AP, Pradeep A. SRR frequency estimator using artificial neural network. In *National Technological Conference (NATCON)*. 2014;1-7. Available:<https://doi.org/10.13140/RG.2.1.3731.1525>
15. Gopal S. Artificial neural networks for spatial data analysis. *International Encyclopedia of Geography: People, the Earth, Environment and Technology (Book)*. 2016;1-7. Available:<https://doi.org/10.1002/9781118786352.wbieg0322>
16. Li EY. Artificial neural networks and their business applications. *Inf Manag.* 1994;27(5):303-313. Available:[https://doi.org/10.1016/0378-7206\(94\)90024-8](https://doi.org/10.1016/0378-7206(94)90024-8)
17. Montenegro R. Source code classification using deep learning. *Aylien*. Available:<https://aylien.com/blog/source-code-classification-using-deep-learning>
18. Shaker A S. A survey of smart buildings and homes using Low-Power Wide-Area Network (LoRa WAN). In *Proceedings of International Symposium on Multidisciplinary Studies and Innovative Technologies (ISMSIT)*. Istanbul, Turkey. 2020;1-6. Available:<https://doi.org/10.1109/ISMSIT50672.2020.9254675>
19. Mijwil MM, Al-Zubaidi EA. Medical image classification for Coronavirus Disease (COVID-19) using convolutional neural networks. *Iraqi J. Sci.* 2021;62(8):2740-2747. Available:<https://doi.org/10.24996/ijcs.2021.62.8.27>
20. Khasnabish JN, Sodhi M, Deshmukh J, Srinivasaraghavan G. Detecting programming language from source code using Bayesian learning techniques. In *Machine Learning and Data Mining in Pattern Recognition*. 2014;513–522. Available:https://doi.org/10.1007/978-3-319-08979-9_39
21. Srihari CSN. *Pattern recognition*, London, Chapman. 1993;1034-1041.
22. Saliba E. An overview of pattern recognition. *ResearchGate*. 2013;1-7. Available:https://www.researchgate.net/publication/236174456_An_overview_of_Pattern_Recognition
23. D. B, T.-h. K. Jayanta Kumar Basu. Use of artificial neural network in pattern recognition. *International Journal of Software Engineering and I International Journal of Software Engineering and Its Applications*. 2010;4(2):23-34.
24. Mijwil MM, Shukur BS, Mahmood E Sh. The most common heart diseases and their influence on human life: A mini-review. *J Adv Med Med Res.* 2022;34(15):26-36. Available:<https://doi.org/10.9734/jammr/2022/v34i1531396>
25. Shaker AS. DE-stripping augmented images of blood cells using deep convolutional neural network. *J Al-Qadisiyah Compu Sci Math.* 2021;13(2):56. Available:<https://doi.org/10.29304/jqcm.2021.13.2.820>
26. Mijwil MM, Abttan RA, Alkhazraji A. Artificial intelligence for COVID-19: A short article. *Asian J of Pharm, Nursing Medical Sci.* 2022;10(1):1-6. Available:<https://doi.org/10.24203/ajpnms.v10i1.6961>
27. Shaker AS, Khaleel MF, Ismael OA, Majeed RS, Ahmed MR. Information retrieval system of Arabic alphabetic characters by using hidden Markov Model. In *Proceedings of International Congress on Human-Computer Interaction, Optimization and Robotic Applications*. Ankara, Turkey. 2022;1-6. Available:<https://doi.org/10.1109/HORA55278.2022.9799843>
28. Aggarwal K, Mijwil MM, Sonia, Al-Mistarehi AH, Alomari S, Gök M, Alaabdin AM, Abdulrhman SH. Has the future started? The current growth of artificial intelligence, machine learning, and deep learning. *Iraqi J. Comput. Sci. Math.* 2022;3(1):115-123. Available:<https://doi.org/10.52866/ijcsm.2022.01.01.013>
29. Faieq AK, Mijwil MM. Prediction of heart diseases utilising support vector machine and artificial neural network. *Indones J Electr Eng Comput Sci.* 2022;26(1):374-380. Available:<http://doi.org/10.11591/ijeecs.v26.i1.pp374-380>
30. Cococcioni M, Cudazzo A, Pappalardo M, Sergeyev YD. Solving the lexicographic multi-objective mixed-integer linear programming problem using branch-and-

- bound and grossone methodology. Commun Nonlinear Sci Numer Simul. 2020;84:10517. Available: <https://doi.org/10.1016/j.cnsns.2020.105177>
31. Wu C, Khishe M, Mohammadi M, Karim SHT, Rashid TA. Evolving deep convolutional neural network by hybrid sine–cosine and extreme learning machine for real-time COVID19 diagnosis from X-ray images. Soft Compu. 2021;2021:1-20. Available: <https://doi.org/10.1007/s00500-021-05839-6>
32. Farhan BI, Jasim AD. A Survey of intrusion detection using deep learning in internet of things. Iraqi J. Comput. Sci. Math. 2022;3(1):83-93. Available: <https://doi.org/10.52866/ijcsm.2022.01.01.009>

© 2022 Shaker and Mijwil; This is an Open Access article distributed under the terms of the Creative Commons Attribution License (<http://creativecommons.org/licenses/by/4.0>), which permits unrestricted use, distribution, and reproduction in any medium, provided the original work is properly cited.

Peer-review history:

The peer review history for this paper can be accessed here:
<https://www.sdiarticle5.com/review-history/92888>